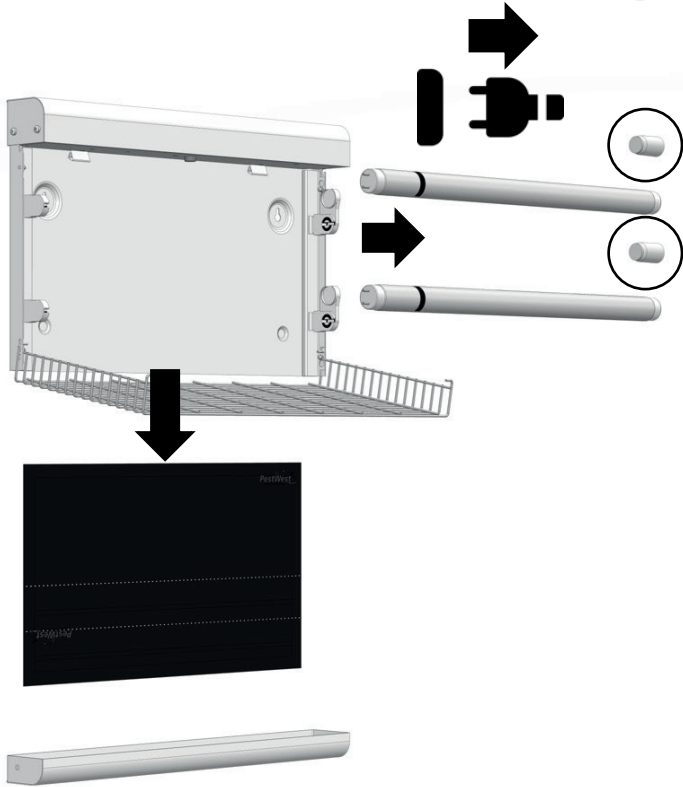
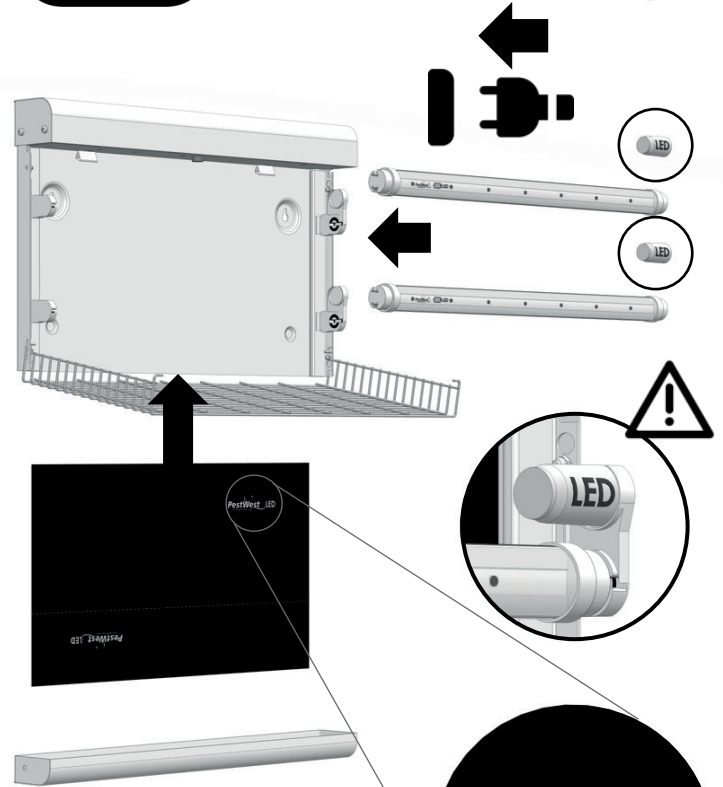


15W T8 18" BL368



QBL LED



PestWest[®]
www.pestwest.com





Retrofit Installation Guide

Precautions

- To avoid an electric shock, switch off the machine before installation.
- PestWest QBL LED Retrofit tubes should only be used in traps with magnetic ballasts and starters.
- The provided LED starter must be used with the PestWest QBL LED Retrofit tube.
- Do not install where dangerous concentrations of flammable gases or dusts are likely to occur.
- The PestWest QBL LED Retrofit tube is designed for indoor use only and is not waterproof.
- Maintenance may be carried out by persons with reduced physical, sensory or mental capabilities or lack of experience and knowledge if they have been given supervision or instruction concerning use of the equipment in a safe way and understand the hazards involved.
- Keep out of reach of children.

Installation

1. Switch off the machine and unplug from the mains electricity supply.
2. Remove the 15W/T8/18" BL368 fluorescent tubes and fluorescent starters by rotating them 90 degrees and remove them from the trap.
3. Fit the PestWest QBL LED Retrofit tubes ensuring the LEDs are facing out of the trap.
4. Fit the LED starters. (Note the LED tubes will not operate without the LED starters.)
5. Replace the glue board with a PestWest 18" LED glue board (Note efficacy will be significantly reduced when using ordinary glue boards, fit LED glue boards for maximum efficacy).
6. Plug the unit back in and switch it on. Check the LED tubes are operating.

